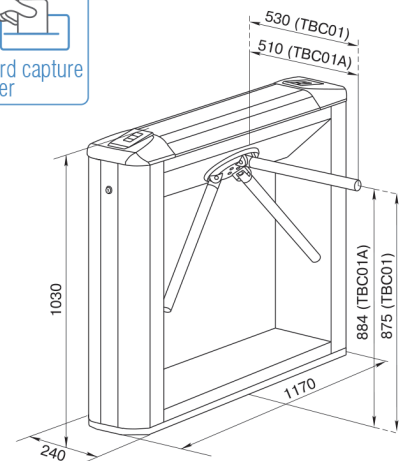




+40° +1°	<b>12 V DC</b> power supply	 <b>2 way control</b>
 <b>30 persons/min</b>	 key override control	 <b>EMM/HID</b>
 <b>2 readers</b>	 mechanical anti-panic	 automatic anti-panic
 <b>1 card capture reader</b>		



Card reader, built-in



Card capture reader, built-in

### Application

The TBC-01 turnstile is a multi-functional entrance solution for access control of personnel using permanent access cards and visitors required to return guest card upon leaving the facility. A guest card meant for return will be captured by the built-in card capture reader.

### Delivery set

- turnstile with built-in electronics, 2 readers and a card capture reader (EMM/HID)
- remote control panel
- standard/anti-panic barrier arms (the type is chosen by a Client at the time of order)

### Design

Nicely built-in card readers and a card capture reader will save your time, expenses and installation efforts, allowing you to arrange passage for personnel and visitors through one control device.

The card capture reader can be configured to operate either at exit or at entrance way depending on your entrance layout.

Card container capacity: 350 cards.

### Materials and Finishes

Turnstile housing/barrier arms – stainless steel.



Stainless steel

